



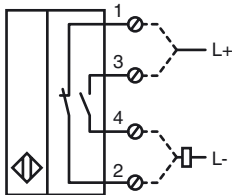
### Model Number

NCN50-FP-Z2-P4

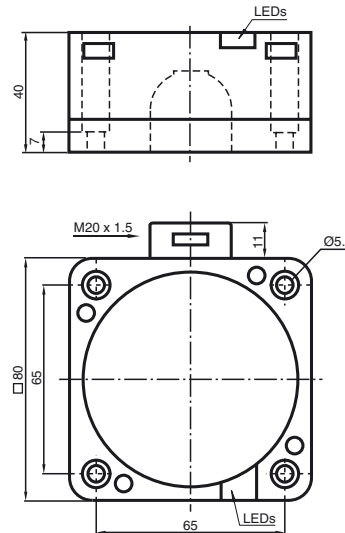
### Features

- 50 mm not embeddable
- 2-wire DC
- Surface mount

### Connection



## Dimensions



## Technical Data

### General specifications

Switching element function	DC	NO/NC
Rated operating distance	$s_n$	50 mm
Installation		not embeddable
Output polarity		DC
Assured operating distance	$s_a$	0 ... 40.5 mm
Reduction factor $r_{AI}$		0.4
Reduction factor $r_{Cu}$		0.35
Reduction factor $r_{V2A}$		0.8

### Nominal ratings

Operating voltage	$U_B$	10 ... 60 V
Switching frequency	$f$	0 ... 80 Hz
Hysteresis	$H$	0 ... 20 typ. 5 %
Reverse polarity protected		tolerant
Short-circuit protection		pulsing
Voltage drop	$U_d$	$\leq 6$ V
Operating current	$I_L$	2 ... 200 mA
Off-state current	$I_r$	0.4 ... 1 mA typ. 0.6 mA
Indication of the switching state		LED, yellow

### Ambient conditions

Ambient temperature	-25 ... 70 °C (-13 ... 158 °F)
Storage temperature	-25 ... 85 °C (-13 ... 185 °F)

### Mechanical specifications

Connection type	screw terminals
Core cross-section	up to 2.5 mm <sup>2</sup>
Housing material	PBT/metal
Sensing face	PBT
Protection degree	IP67

### Compliance with standards and directives

Standard conformity	
Standards	EN 60947-5-2:2007 IEC 60947-5-2:2007

### Approvals and certificates

UL approval	cULus Listed, General Purpose
CSA approval	cCSAus Listed, General Purpose
CCC approval	Products with a maximum operating voltage of $\leq 36$ V do not bear a CCC marking because they do not require approval.